



ESCO #90538

For Sales, Service, and
Parts Contact ESCO at
1-800-352-9852



Instruction manual

Compac wheel dolly, model WD1600.

Important: Read and understand the instruction before use!

Operating and service manual for wheel dolly model WD 1600
Max. Capacity 1600 kg.

Instruction and responsibility:

This instruction and safety manual must be enclosed with the wheel dolly at all times.

It is very important that the owner and the operator completely understand the operating, safety and maintenance instructions before use. The manufacturer is not liable for wrong- or irresponsible use or maintenance due to the operators not knowing and following these instructions. If the operator is not fluent in English, then these instructions and warnings shall be read and explained to the operator in the operator's native language, making sure that he understands its contents.

How to use the wheel dolly:

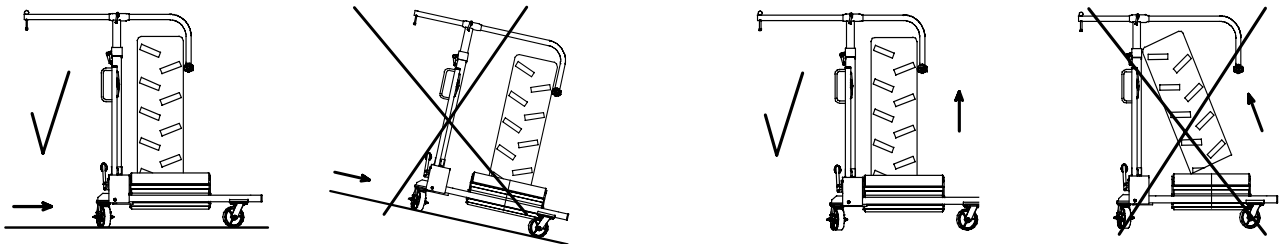
WD1600 is a mobile wheel dolly for demounting and mounting large wheels with an outside diameter of 1250 mm (49") up to 2400 mm (94.5"). The wheel / load is lifted when the 2 x 4 rollers press horizontally on each side of the wheel. Lifting will require more force in the beginning as the rollers are pressing against each other. Lifting occurs with pumping the handle (P). Lowering the wheel/load is activated by moving the foot pedal (E) into the opposite position. The pump handle (P) can then be used for lowering the wheel/load again.

Operating instruction:

The unit is operated by moving the foot pedal (E) into lifting or lowering position and afterwards pumping the pump handle (P).

Labelling:

Warning and CE approval labels are fitted onto the unit.

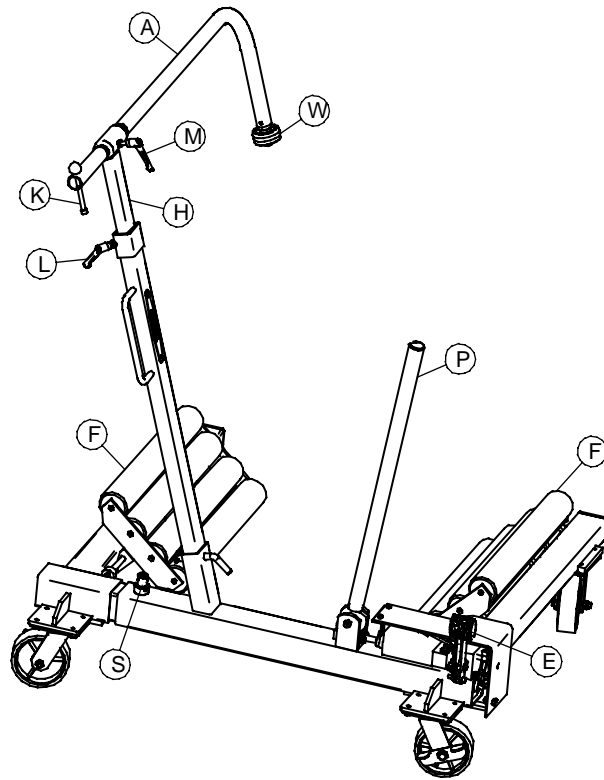


Make sure that lifting **only** occurs on a flat and strong surface / floor.

The wheel/load must be lifted in a vertical angle as the wheel/load might otherwise slide on the rollers away from the unit causing the unit to move towards the operator.

Mounting:

After opening the packaging check the unit for visible damage, leakage, etc. Please recycle or use the packing material again.



Safety instructions - LIFTING

1. Make sure that lifting only occurs on a flat and strong surface/floor. If not, lifting with this unit is prohibited due to risk of danger / damages!
2. The wheel/load should be lifted from the floor.
3. Place the rollers (F) on either side of the wheel that should be lifted. Move the unit as close to the wheel/load as possible.
4. Loosen the vertical support arm (H) and horizontal support arm (A). By using grip (K) it is possible to steer the arm with the small support wheel (W) to the opposite side of the wheel/load. Once the small support wheel (W) is on the opposite side it can be steered behind the wheel/load. This will prevent the wheel/load from dropping to the opposite side during manoeuvring.
5. Once you have placed the guide arm (A) correctly, lock its position with the lock (M).
6. !! Lock (L) should be open while lifting or lowering so that the wheel (W) supports the wheel/load on the opposite side. Kindly note that you should **NOT** lock position (L). Once you begin lifting the wheel/load, lock (L) **must be open**, as this will allow the guide arm to follow the upwards and downwards movement of the wheel as it is raised and lowered.
7. The lifting can now start. *

* Before you end the lifting procedure, active safety pin (S) so that the manual safety stop is activated, should a hydraulic leak occur. After a short lifting or lowering action the safety pin (S) will be activated. The safety pin is spring loaded and will lock the movement of the lifting arms. To unlock the safety stop pump a little in the opposite direction so that the safety pin (S) can be pulled up again.

Safety instruction - LOWERING / MOUNTING OF WHEEL

1. Release the safety pin (S).
2. Inspect that the small wheel (W) has a firm grip on the wheel/load before lowering.
3. Before lowering the wheel/load make sure that vertical guide lock (L) is released and free to move.
4. Once you slowly start lowering the wheel/load, the guide arm (L) should be able to freely follow the movement of the wheel. If not, the risk is that the wheel will drop away from its support (W) on the opposite side of the wheel and could thereby accidentally fall.
5. Activate the pump lever (P) to lower the load or reach the correct mounting height.
6. Once the unit can be removed from the wheel/load, release locks (K) and swing wheel (W) away from the wheel. Pull back the unit.

Safety instruction - MANOEUVRING WITH WHEEL/LOAD

1. Ensure that the small support wheel (W) is supporting the wheel/load correctly.
2. Ensure that the locks (M), (L) and (S) are in locked position.

WARNING Safety instructions:

Make sure that lifting only occurs on a flat and strong surface/floor.

The wheel/load must be lifted in a vertical angle as the wheel/load might otherwise slide on the rollers away from the unit causing the unit to move towards the operator.

Do not overload the unit! Overloading with loads over 1600 kg could result in damage to the unit or in worst case cause other damage and even accidents!

Lowering a load of more than 1600 kg onto the unit may lead to serious damage to the unit.

Example: If the operator lowers the vehicle itself before lowering and moving the wheel dolly away from the vehicle.

Before lifting / transporting a load the operator MUST take precautions that the load is not allowed to drop, and that the weight distribution is safe. The operator must before use take precautions that all pins are safely locked with split pins or lock rings. (ATTENTION! The LOAD must be blocked with the guide arm (K) locked and (W) in correct position to support the wheels on the opposite side.)

Always lower the load to the lowest possible position before transportation.

Important! The safety valve is calibrated and sealed by the manufacturer and it is ABSOLUTELY PROHIBITED to open the seal or adjust its calibration. Offence against the above safety instructions could in worst case result in loss of the load which could cause personal injury and/or damage to the unit or properties. In case the unit has any irregularities which could affect the safety, the unit must not be operated until it has been repaired.

The unit should not be used if there are any oil leakages or if the unit seems different to use than when it was new. In such cases the unit should be inspected/repared by a skilled person. More information on spare parts, etc is available on www.compac.eu under "Services".

The manufacture is not liable for wrong use, changes to the construction, use of other spare parts than original or adjustments/repairs by unauthorised persons.

Safety Maintenance:

Inspection of the unit must only be done without load, for safety reasons. Only authorized/skilled personnel may repair/adjust the unit. Use only original parts. For adjustment follow the instructions of the manufacturer. For further information please contact www.compac.eu

Maintenance:

At normal use all mechanical/moving parts only requires a monthly lubrication to be maintained. The pins must be greased every three months. **Important!** Use only oil or grease free from acid. An annual inspection must be performed by a skilled person. Every eventually wearing out or defective part must be replaced with original spare parts. The owner and- or user must take precautions that repair is made by a skilled person. Before every use the operator must take precautions that there are no visible faults such as leaks, damage of the WD and loose or missing parts. In case the operator suspects that the unit has been overloaded or wrongly loaded it must before further use be inspected by a skilled person or an authorized.

Oil: DO NOT use brake fluid, motor oil, etc!
Volume: 0.6 litres.
Type: Use only hydraulic oil with a gradation (viscosity) of AWS22.
Compac recommends Castrol.

In case the hydraulic unit has a lack of oil or has been taken apart in order to replace the seals then fill up with the correct oil quantity. Activate the pump handle and add oil slowly through the filling hole at the plug. The lifting arms must be in minimum position (as close together as possible) when refilling oil. Warning! Too much oil quantity might cause problems to the hydraulic system.

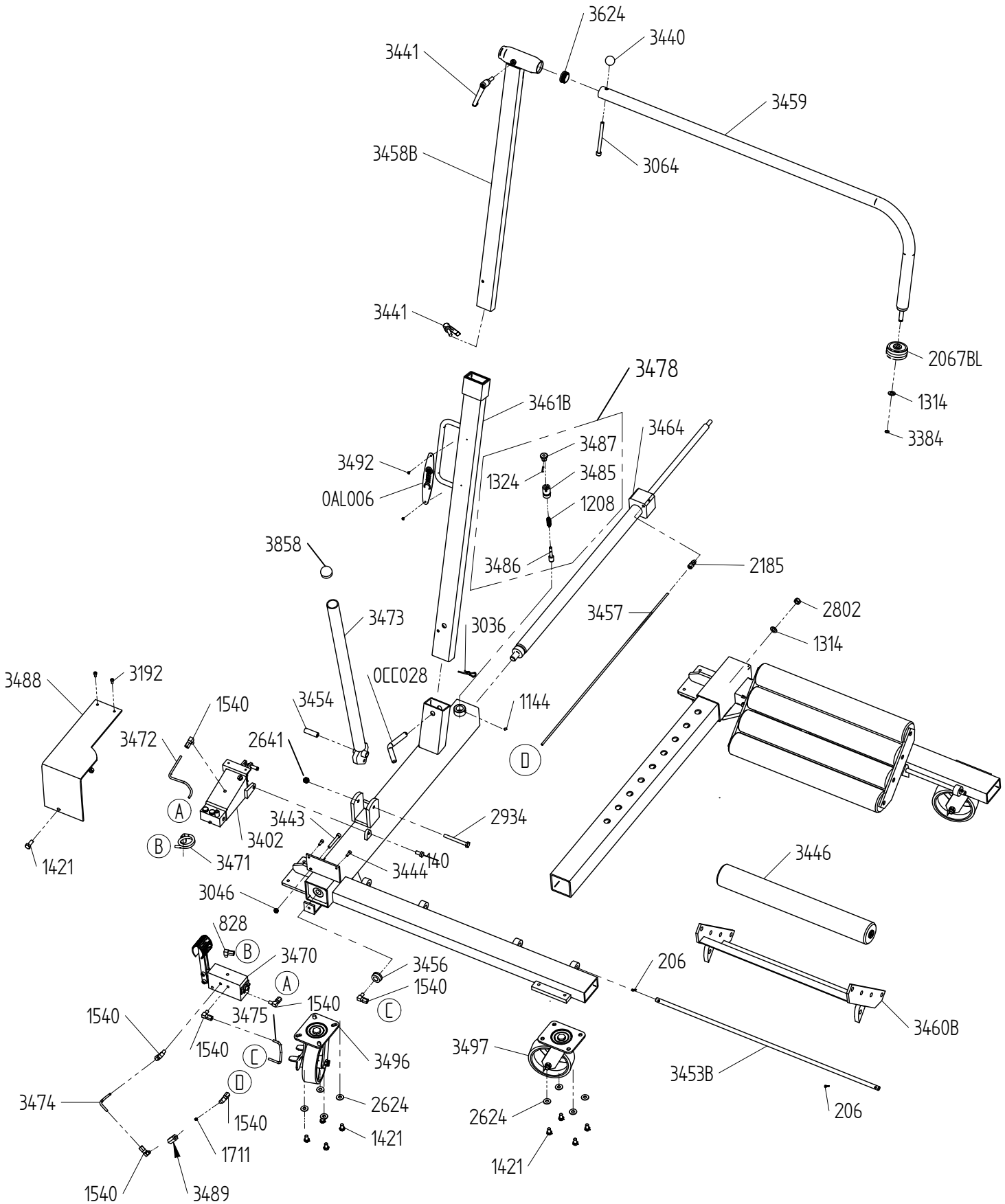
Decommissioning:

If the unit should ever be scrapped, draw off the oil into an approved container and dispose it at an approved authority.

10.07.2007 GB/VL

WD1600 G1

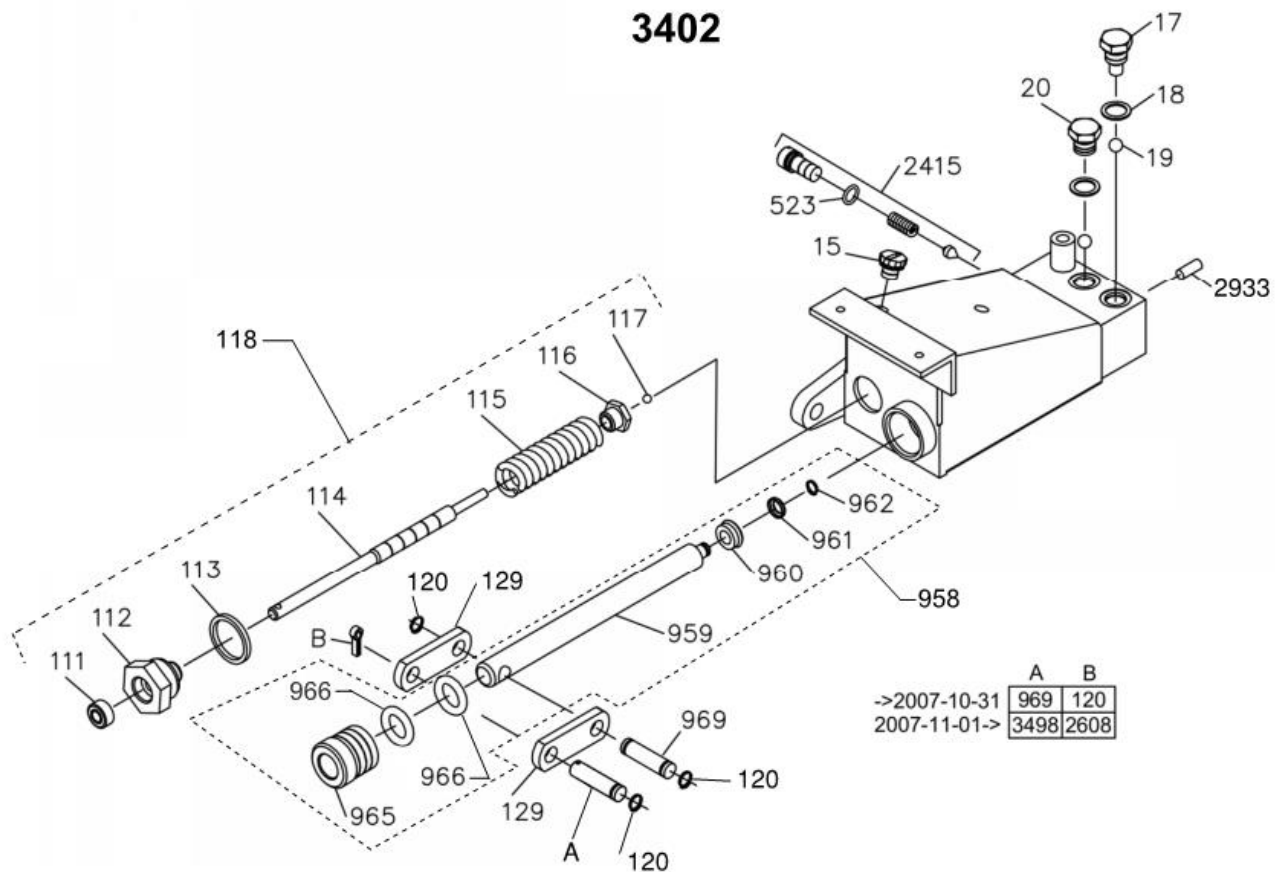
2017-11-22 ->



WD1600 G1

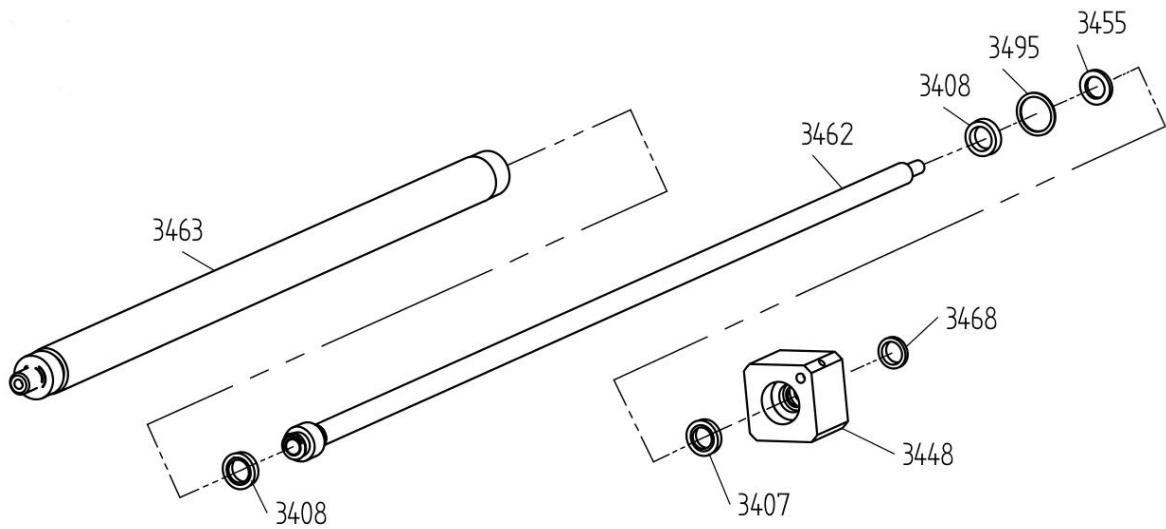
No.	Dansk	Deutsch	English	Français
140	Skruer	Schraube	Screw	Vis
206	Split	Splint	Split pin	Goupille
828	Fitting	Fitting	Fitting	Raccord
1144	Skruer	Rietstockschrabe	Pointed screw	Vis pointue
1208	Trykfjeder	Feder	Spring	Ressort
1314	Skive	Scheibe	Washer	Rondelle
1324	Spændstift	Spannstift	Elastic pin	Goupille de serrage
1421	Skruer	Schraube	Screw	Vis
1540	Fitting	Fitting	Fitting	Raccord
1711	Oliebremse	Senkbremse	Oil valve	Frein d'huile
2067BL	Hjul	Rad	Wheel	Roue
2185	Fitting	Fitting	Fitting	Raccord
2624	Skive	Scheibe	Washer	Goupille
2641	Møtrik	Mutter	Nut	Ecrou
2802	Møtrik	Mutter	Nut	Ecrou
2934	Bolt	Bolzen	Bolt	Boulon
3036	Fjedersplit	Splint	Split pin	Goupille
3046	Låsemøtrik	Mutter	Nut	Ecrou
3064	Skruer	Schraube	Screw	Vis
3192	Skruer	Schraube	Screw	Vis
3384	Låsering	Seegerring	Lock ring	Circlips
3402	Pumpe, komplet	Pumpe, komplett	Pump, complete	Pompe, complète
3440	Kugle/håndtag	Kugel	Ball	Bille
3441	Håndtag	Handgriff	Handle	Manche
3443	Skruer	Schraube	Screw	Vis
3444	Skruer	Schraube	Screw	Vis
3446	Rulle	Rolle	Roller	Poulie
3453B	Aksel	Achse	Shaft	Axe
3454	Bøsning	Buchse	Bushing	Manchon
3456	Stop f. cylinder	Halt	Stop	Arrêt
3457	Trykrør	Druckrohr	Pressure pipe	Tuyau de refoulement
3458B	Tårn, teleskop	Zwinger, teleskop	Tower, telescope	Chateau, télescope
3459	Støtterør, komplet	Stützt Rohr, komplett	Supporting pipe, compl.	Support de Tuyau, compl.
3460B	Rulleophæng	Rollen Halterung	Roller support	Support de Poulie
3461B	Tårn	Zwinger	Tower	Chateau
3464	Cylinder, komplet	Zylinder, komplett	Cylinder, complete	Cylindre, complète
3470	Omskiftventil, komplet	Ventil, komplett	Valve, complete	Soupape, complète
3471	Trykrør, komplet	Druckrohr, komplett	Pressure pipe, complete	Tuyau de refoulement, co.
3472	Trykrør	Druckrohr	Pressure pipe	Tuyau de refoulement
3473	Pumpearm, komplet	Pumpenarm, komplett	Fulcrum arm, complete	Levier de pompage, com.
3474	Trykrør	Druckrohr	Pressure pipe	Tuyau de refoulement
3475	Trykrør	Druckrohr	Pressure pipe	Tuyau de refoulement
3478	Lås komplet	Schliess komplet	Lock complete	Fermeture complete
3485	Hus f. Lås	Gehäuse	Housing	Corps
3486	Låsetap	Zapfen	Pin	Cliquet de arrêt
3487	Knop f. Lås	Handgriff	Handle	Manche
3488	Skærm	Blech	Sheet	Plaque
3489	Hus f. bremse	Gehäuse	Housing	Corps
3492	Skruer	Schraube	Screw	Vis
3496	Hjul m. bremse, komplet	Rad mit bremsen, komplett	Wheel w. breakes, compl.	Frain pour roue, complète
3497	Hjul, komplet	Rad, komplett	Wheel, complete	Roue, complète
3624	Plastprop	Kunststoffverschluß	Cap	Bouchon
3858	Plastprop	Kunststoffverschluß	Cap	Bouchon
0AL006	Skilt	Abzeichen	Badge	Insigne
OCC028	Nagle	Bolzen	Shaft	Rivet

3402



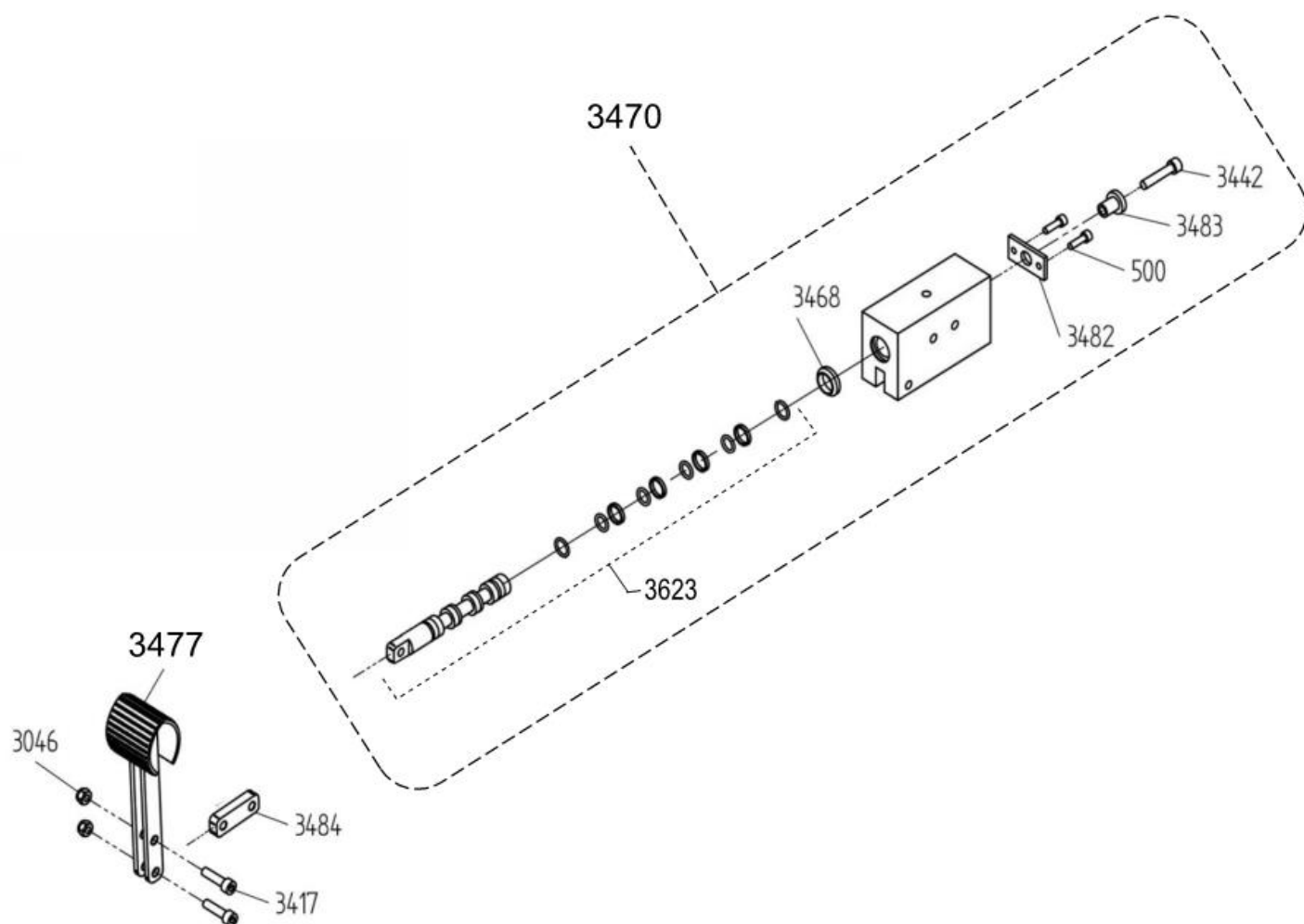
No.	DANSK	DEUTSCH	ENGLISH	FRANÇAIS
*15	Olieprop	Ölverschraubung	Oil plug	Bouchon d'huile
17	Ventilprop	Ventilschraube	Valve plug	Bouchon de valve
*18	Kobberring	Kupferring	Copper ring	Anneau de cuivre
*19	Kugle	Kugel	Ball	Bille
20	Ventilprop	Ventilschraube	Valve plug	Bouchon de valve
*111	Olietætningsring	Öldichtungsring	Ring (oil)	Anneaux de joint
112	Pakdåse	Stopfbuchse	Stuffing box	Ecrou de piston
*113	Pakning	Dichtung	Packing	Joint
114	Returspindel	Ablaufspindel	Return spindle	Pivot de retour
115	Fjeder	Feder	Spring	Ressort
116	Møtrik	Mutter	Nut	Ecrou
*117	Kugle	Kugel	Ball	Bille
118	Returspindel komplet	Ablaufspindel komplett	Return spindle complete	Pivot de retour compl.
120	Låserring	Seegerring	Lock ring	Circlips
129	Plejlstang	Schubstange	Connecting rod	Bielle de manoeuvre
*523	O-ring	O-ring	O-ring	Joint torique
958	Pumpestempel komplet	Pumpenkolben komplett	Pump piston complete	Piston de pompe compl.
959	Pumpestempel	Pumpenkolben	Pump piston	Piston de pompe
*960	Manchet	Manschette	Sleeve	Bague
*961	Støttering	Buchse	Back-up ring	Anneau d'aspiration
*962	Låserring	Seegerring	Lock ring	Circlips
965	Pakdåse	Stopfbuchse	Stuffing box	Ecrou de piston
*966	O-ring	O-ring	O-ring	Joint torique
969	Nagle	Nagel	Shaft	Rivet
2415	Overtryksventil, komplet	Überdruckventil, komplett	Excess-pressure valve	Soupape de surpression
2608	Split	Splint	Split pin	Goupille fendue
2933	Stift	Splint	Pin	Cheville
3498	Nagle	Nagel	Shaft	Rivet
60501	Reparations sæt	Dichtungssatz	Repair kit	Jeu de réparation
*	Indeholdt i Reparations sæt	Im Dichtungssatz enthalten	Contained in the repair kit	Contenu dans le jeu de joint

3464



No.	Dansk	Deutsch	English	Français
*3407	Manchet	Manschette	Sleeve	Bague
*3408	Manchet	Manschette	Sleeve	Bague
3448	Pakdåse	Stopfbuchse	Stuffing box	Ecrou de piston
*3455	Sikringsring	Sicherheitsring	Safety ring	Pousseur rondelle
3462	Stempel, komplet	Kolben, komplett	Piston, complete	Piston, complet
3463	Cylinder, svejst	Zylinder, geschweißt	Cylinder, welded	Cylindre, soudé
*3468	Skrabering	Abstreifring	Scraper ring	Segment racleur
*3495	Kobberring	Kupferring	Copper ring	Anneau en cuivre
060500	Reparations sæt	Dichtungssatz	Repair kit	Jeu de réparation
*	Indeholdt i Reparations sæt	Im Dichtungssatz enthalten	Contained in the repair kit	Contenu dans le jeu de joint

3470, 3477



3470

No.	Dansk	Deutsch	English	Français
500	Skrue	Schraube	Screw	Vis
3442	Skrue	Schraube	Screw	Vis
3468	Skrabering	Abstreifring	Scraper ring	Segment racleur
3470	Ventil komplet	Ventil Komplet	Valve Complete	Soupapes Complete
3482	Endeplade	Blech	Cover	Plaque
3483	Lås	Schliess	Lock	Arrêt
3623	Glider Komplet	Schieber Komplet	Saddle support Complete	Support pour selle Complete
*60502	Pakningssæt	Dichtungssatz	Repair kit	Jeu de réparation
	* Anbefales ikke	Nicht Empfohlen	Not Recommended	n'est pas recommandé

3477

No.	Dansk	Deutsch	English	Français
3046	Låsemøtrik	Mutter	Nut	Ecrou
3417	Skrue	Schraube	Screw	Vis
3477	Pedal	Fusshebel	Pedal	Pédale
3484	Plejlstang	Schubstange	Connectingrod	Bielle de manoeuvre