

# Calcium Chloride Liquid Transfer Pump

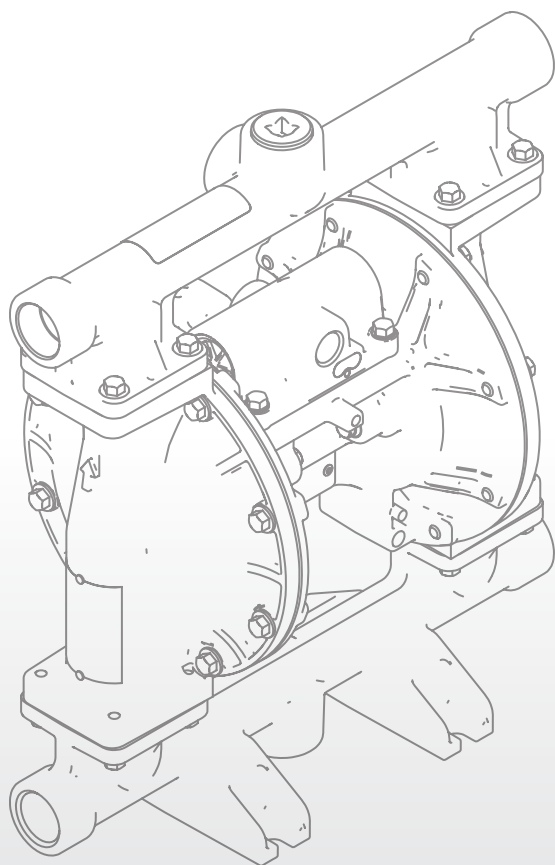
## MODEL 10540P

### TECHNICAL SPECIFICATIONS

# ESCO

## SPECIFICATIONS:

Specifications on 10590P only. For more details on the ESCO MODEL 10543 Calcium Chloride Liquid Transfer Pump please visit [www.esco.net](http://www.esco.net) or email [info@esco.net](mailto:info@esco.net).



### Model # Description

**10540P (Pump Only)**  
**50 GPM Liquid Transfer Pump**  
*Graco Husky 1050AL*

<b>Air Exhaust Port Size (in)</b>	3/4
<b>Air Exhaust Port Thread Gender</b>	Female
<b>Air Exhaust Port Thread Type</b>	NPT
<b>Air Inlet Size (in)</b>	1/2
<b>Air Inlet Thread Gender</b>	Female
<b>Air Inlet Thread Type</b>	NPT
<b>Application</b>	Industrial
<b>Ball Material</b>	Geolast®
<b>Center Section Material</b>	Aluminum
<b>Compatible Material</b>	Calcium Chloride, Tire Liquids, Antifreeze, Detergents, Motor Oil, Hydraulic Fluid, Cutting Oil, Water - Wastewater Transfer
<b>Connection Type</b>	Threaded
<b>Diaphragm Compatible Material</b>	Geolast®
<b>Diaphragm Material</b>	Geolast®
<b>Fluid Inlet Size (in)</b>	1
<b>Fluid Inlet Thread Gender</b>	Female
<b>Fluid Inlet Thread Type</b>	NPT
<b>Fluid Outlet Size (in)</b>	1
<b>Fluid Outlet Thread Gender</b>	Female
<b>Fluid Outlet Thread Type</b>	NPT
<b>Fluid Section Material</b>	Aluminum
<b>Manifold Configuration</b>	Center Port, End Port
<b>Manifold O-Ring Material</b>	PTFE
<b>Material</b>	Aluminum
<b>Maximum Air Consumption (SCFM)</b>	67
<b>Maximum Air Pressure (MPa)</b>	0.86
<b>Maximum Air Pressure (psi)</b>	125
<b>Maximum Cycle Rate (CPM)</b>	280
<b>Maximum Flow Rate (GPM)</b>	50*
<b>Maximum Fluid Pressure (MPa)</b>	0.86
<b>Maximum Fluid Pressure (psi)</b>	125
<b>Maximum Operating Temperature (°F)</b>	150
<b>Maximum Solid Size (in)</b>	0.125
<b>Overall Height (in)</b>	15.9
<b>Power Source</b>	Air
<b>Seat Material</b>	Geolast®
<b>Standards Met</b>	ATEX, CE
<b>Type</b>	Pneumatic Diaphragm Pump
<b>Weight (lb)</b>	23
<b>Wetted Material</b>	Aluminum, Geolast, PTFE

\*50 gallon per minute rating based on liquid transfer pump without any plumbing, hoses, or other restricting external parts or adapters.