



Equipment Supply Company



Instruction Manual

HD Adjustable Wheel Dolly

ESCO #70134



CAUTION:

THIS PRODUCT, AS WELL AS ALL TIRE TOOLS, SHOULD NEVER BE USED BY PERSONS UNLESS THEY HAVE BEEN TRAINED PROPERLY ACCORDING TO OSHA REGULATIONS 29CFR 1910.177 ENTITLED "SERVICING SINGLE-PIECE & MULTIPIECE RIM WHEELS".

FOR THE SAFE USE OF THIS PRODUCT, PLEASE READ INSTRUCTIONS. FAILURE TO DO SO CAN LEAD TO A VOID IN WARRANTY OR SERIOUS INJURY. PLEASE USE THIS TOOL AND OTHER TIRE SERVICE TOOLS WITH THE UPMOST SAFETY PRECAUTIONS.

⚠ WARNING



To avoid crushing and related injuries and or property damage:

- Read, understand and follow all printed materials provided with on this product.
- DO NOT exceed rate capacity.
- Use ONLY on hard, level surfaces capable of sustaining the load.
- Always use both hands to control tire and TIRE WHEEL DOLLY.
- Move slowly and maintain tire in as close to vertical positon as possible.
- No alterations shall be made to this product.
- Failure to heed these markings may result in personal injury and/or property damage.

Before using the product, carefully read the instructions manual and all stickers and warnings noted on the product. This is necessary to avoid injury to the operator and damage to the product.

Product Description

The HD Adjustable Wheel Dolly [Model #70134] is designed to assist service technicians as they move through the tire/wheel service process. Its light-weight, portable, and adjustable design makes it an ideal tire dolly for any service shop. This tire dolly completely eliminates the need to lift and move any large and heavy wheels by easily rolling the unit up to the wheel and rolling it away and onto the vehicle. In addition to saving on labor and time, using the wheel dolly will also allow for saving an accidental damage to expensive rim while servicing.

Product Specifications

- Lifting Capacity:** 330 lbs. | 150 kg
- Tire Diameter:** 23.5" - 43.5" | 597 mm - 1105 mm
- Roller Spread:** 12" - 24" | 304 mm - 609 mm
- Length:** 47" | 1193 mm
- Width:** 27.5" | 698 mm
- Weight:** 27 lbs. | 12.7 kg



RECOMMENDED PRODUCTS



#10390



#10802



#10803



#90518-100-KIT

BEFORE USE:

- Before use of this tool please verify that the application of this tool is compatible. For more information about this tool or any other tools from ESCO, Please call (800) 352-9852 or email info@esco.net.
- Assemble product according to parts breakdown and assembly provided.
- Read the entire operation manual including warnings before any use of this tool.
- Always inspect the tool before use to ensure it is working properly. If rollers do not roll smoothly, **DO NOT** put into service. Contact the manufacturer or an authorized distributor of ESCO product and parts for replacement parts or consultation.

OPERATION:

- Follow the vehicle manufacturer's recommended removal and installation procedures for tire, wheel or hub.
- After the tire/wheel assembly has been loosened from the hub or axle and is ready to be removed, position the TIRE WHEEL DOLLY under the tire to be removed. Adjust cart position such that the tire/wheel assembly will balance between rollers without falling.

PLACING TIRE ON WHEEL DOLLY:

REMINDER: DO NOT EXCEED WEIGHT CAPACITY OF TIRE WHEEL DOLLY

- **NEVER** use the TIRE WHEEL DOLLY as a wheel pulling device. Before transporting wheel assembly, ensure that it is free from the hub or drum assembly and balanced between the rollers.
- When the weight of the loosened tire and wheel assembly is supported by the TIRE WHEEL DOLLY, cautiously roll the TIRE WHEEL DOLLY away from the drum or axle.

When using the TIRE WHEEL DOLLY ALWAYS use two-hands.
(See Figure 1 for example)

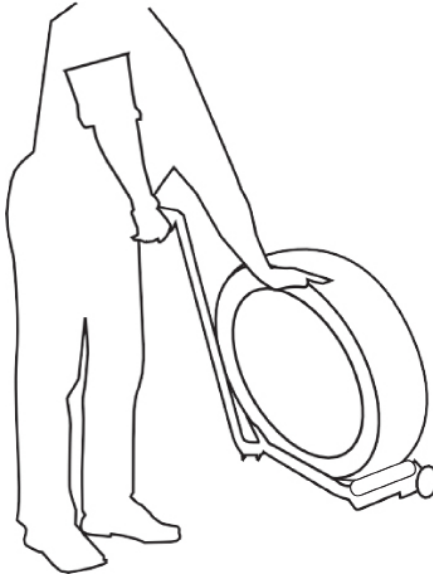
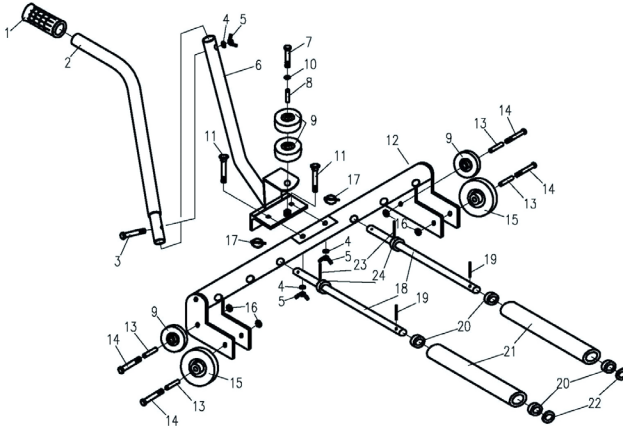


Figure 1 - Always Use Both Hands

MOVING TIRE ON TIRE WHEEL DOLLY:

1. Make sure the tire is properly centered on the rollers of the TIRE WHEEL DOLLY.
2. When wheel assembly has cleared the hub or the axle, push or pull to desired location. Walk slowly, exercise caution and look ahead to avoid obstacles while using both hands to control the tire and the TIRE WHEEL DOLLY.

#70134 Parts Breakdown



#70134 Replacement Part Numbers

Item	Description	QTY	Item	Description	QTY
1	Hand Sleeve	1	13	Bushing	4
2	Rear Handle	1	14	Screw	4
3	Bolt	1	15	Wheel	2
4	Spring Washer	3	16	Lock Nut	4
5	Wing Nut	3	17	Snap Pin	2
6	Front Handle	1	18	Axle	2
7	Screw	1	19	Spring Pin	2
8	Bushing	1	20	Ball Bearing	4
9	Wheel	4	21	Roller	2
10	Washer	1	22	Washer	2
11	Bolt	2	23	Spring Pin	2
12	Base Frame	1	24	Bushing	2

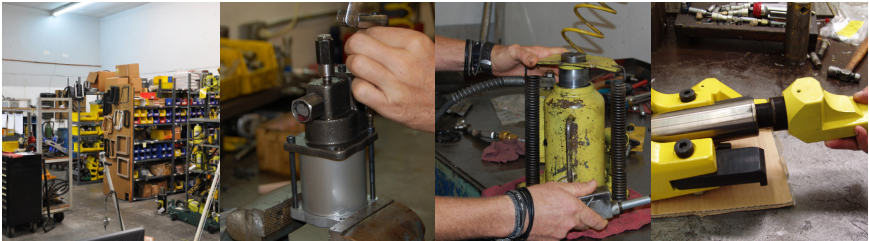


“Providing Quality Hydraulic Repair and Technical Support for All Your Hydraulic Product Needs”

GUARANTEED 1 Day Turnaround Service.

Received by ESCO - Repaired in 24 Hours - Returned to You!

- ▶ ESCO will pick up product for repair/warranty at your location.
- ▶ ESCO will guarantee Repair/Service for 30 days.
- ▶ ESCO has rental tools available
- ▶ ESCO repairs IMT, FEC, Stellar, Blackhawk, OTC, Power Team, Ame Int., & Enerpac hydraulic pumps, bead breaker, and cylinders.
- ▶ Authorized ESCO Repair & Warranty Centers Located through the US & Canada. For more information contact your ESCO sales representative.
- ▶ Technical Support Over the Phone Available by Calling 1-800-352-9852



Prompt, reliable service after the sale is very important to ESCO. ESCO maintains an in-house repair facility in Brooksville, Florida. To insure that our customers have as little down-time as possible, we offer a 1 day turnaround service. Our factory repair service is equipped with all the tools and machinery needed to repair your equipment quickly and affordably. Our trained technicians are the best in the industry. Not only do we service our own products, but we also service our competitors' products.

In addition to ESCO's 30 years of providing quality repair service, ESCO has reached out and partnered with more than 50+ hydraulic repair facilities across the US & Canada, to deliver quality repair and timely return of products. Visit www.esco.net or call 1.800.352.9852 to hear more about the newly added "Authorized ESCO Warranty & Repair Facilities" across the US.

If you have a bead breaker, ram, or hydraulic pump that needs repair, ESCO fixes your product with factory parts and guarantees the repair. In addition to servicing ESCO brand products, we also repair CP, IMT, Elrick, Branick, Goodyear, FEC, Ame Int., and Haltec lines of hydraulic bead breakers, rams, pumps, jacks, and many other hydraulic tire service equipment.

The Proper Tools To Keep Your Equipment **MOVING**



Scan this Code to Go to
the ESCO website

WWW.ESCO.NET



CONTACT INFO:

www.esco.net - info@esco.net

15270 Flight Path Drive

Brooksville, FL 34604

PH. 352.754.1117

Toll Free. 1.800.352.9852 (US, Canada Only)

Fax: 352.754.4508

ESCO - The Proper Tools to Keep Your Equipment Moving!

Stay Connected with ESCO...

