

Bladder Jacks - Portable, Compact Air Operated Jacks



MODEL 92011



MODE 92013



MODEL 92012

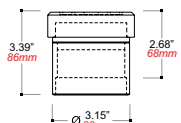


MODEL 92014

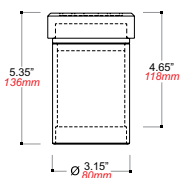
- ▶ Pneumatically controlled jacks consisting of a highly resistant diaphragm and internal telescopic guide.
- ▶ These are fitted with a limit stop device as well as a safety valve making them absolutely reliable in the case of excessive loads.
- ▶ Silent, simple and lightweight, they are ideal for tire technicians and bodywork shops in view of the fact they can also be used on column lifts.
- ▶ Also available in the trolley version (See Below Specs)



| | | | | | |
|------------------------|-----------------------------|--------------------------|---------------------------|-----------------------------|---------------------------|
| SPECIFICATIONS: | Model Style | 92011 YAK 132 | 92012 YAK 132/C | 92013 YAK 203 | 92014 YAK 203/C |
| | Capacity | 2.2 Ton 2 Tonne | 2.2 Ton 2 Tonne | 2.2 Ton 2 Tonne | 2.2 Ton 2 Tonne |
| | Net Weight | 31 lb 14 kg | 35 lb 16 kg | 37 lb 17 kg | 42 lb 19 kg |
| | Working Air Pressure | 116-145 psi 8-10 bar | 116-145 psi 8-10 bar | 116-145 psi 8-10 bar | 116-145 psi 8-10 bar |
| | A | NA | 42.13" 1070 mm | NA | 42.13" 1070 mm |
| | B | 16.34" 415 mm | 14.37" 365 mm | 16.34" 415 mm | 14.37" 365 mm |
| | C | 9.84" 250 mm | 9.84" 250 mm | 9.84" 250 mm | 9.84" 250 mm |
| | D | 5.2-12.83" 132-326 mm | 5.2-12.83" 132-326 mm | 8.07-19.29 in 205-490 mm | 8.07-19.3" 205-490 mm |
| | E | 2.2 Ton 2 Tonne | 2.2 Ton 2 Tonne | 2.2 Ton 2 Tonne | 2.2 Ton 2 Tonne |

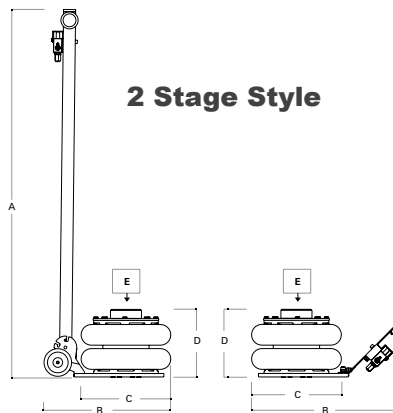


Model 91017

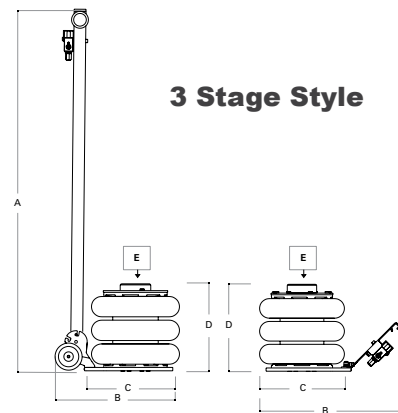


Model 92018

**Bladder Jack 2 Ton
Extensions Not Included.**



2 Stage Style



3 Stage Style