

33 Ton Air Hydraulic Jack

MODEL 92008

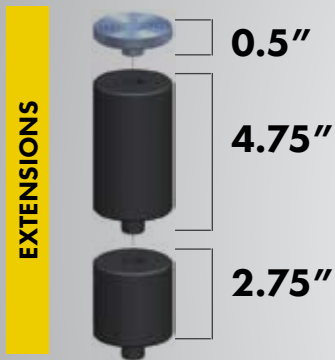


Easy to Use Up/Down Function Operation. Adjust Handle Position with Simple Motion

Comes with (3) Extensions for Variable Height. Storage on Handle.

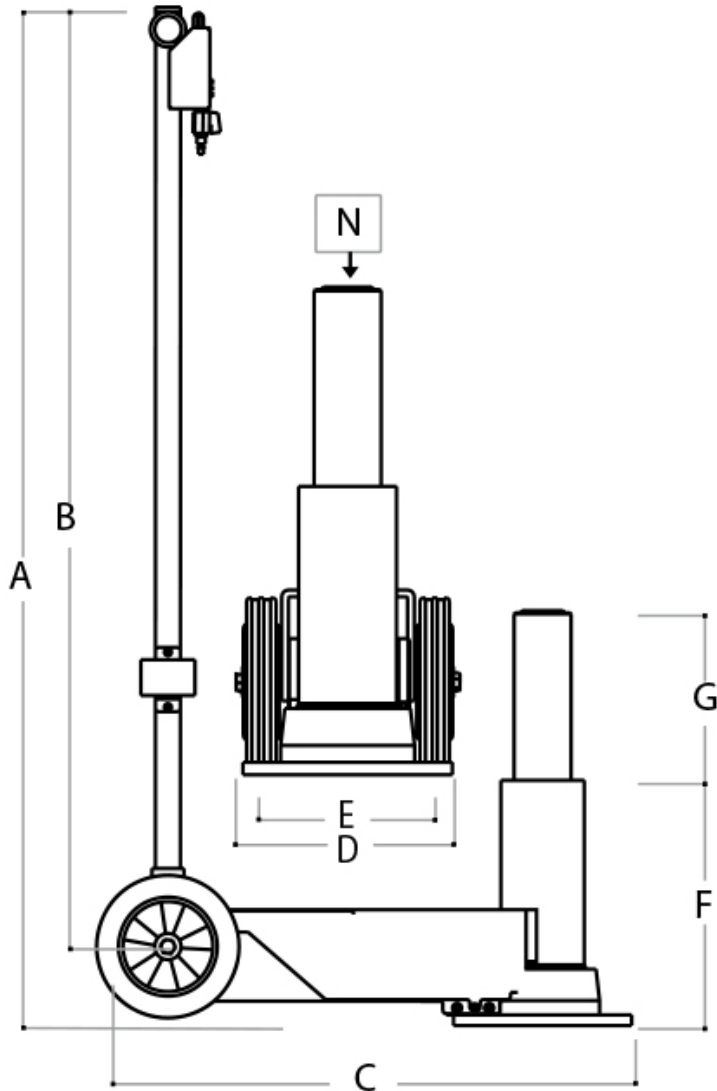
30 Ton Lifting Capacity

Centrally Place Wheels for Perfect Balance and Ease of Movement.



Benefits & Features:

- ▶ Air hydraulic jack for heavy vehicles, practical and easy to handle.
- ▶ The pistons move back automatically; the two descent valves guarantee perfect holding in all situations and controlled speed under load.
- ▶ Ideal for workshops, mobile workshops, tire repairers and bodywork shops.



Model Style	92008 YAK 135
Capacity	33 Ton
Net Weight	126 lbs.
Working Air Pressure	116-145 psi
A	55.71"
B	51.77"
C	28.54"
D	10.83"
E	9.84"
F	13.78"
G	9.06"
N	33 TON