

22/11 Ton Air Hydraulic Jack

MODEL 92000



EXTENSIONS



0.5"



(2) 2.35"



Easy to Use Up/Down Function Operation. Adjust Handle Position with Simple Motion.

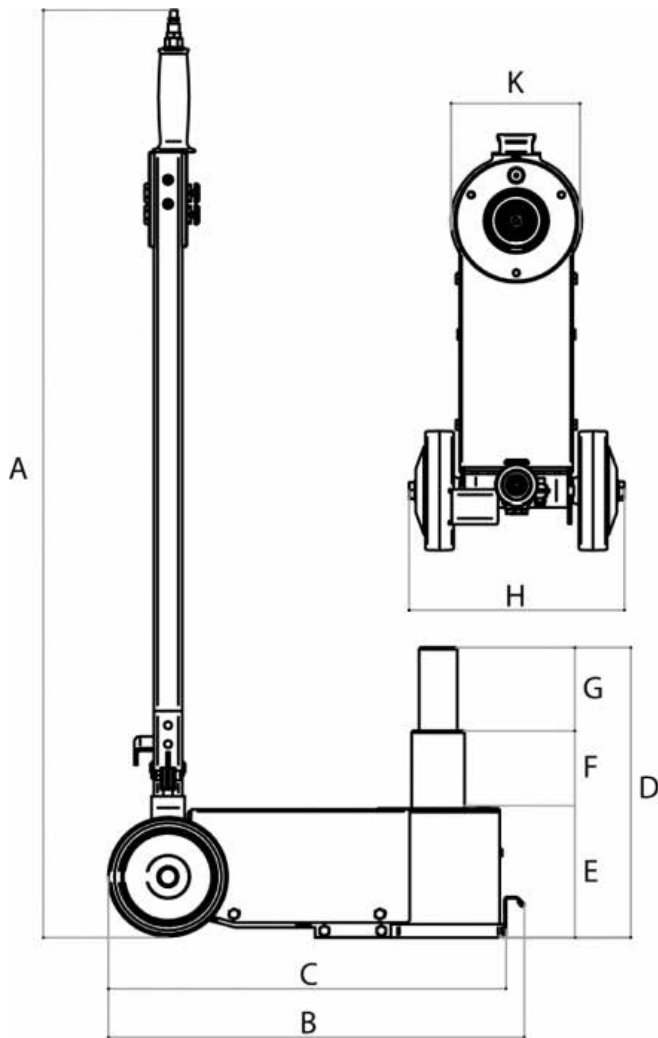
Centrally Place Wheels for Perfect Balance and Ease of Movement.

*2 Stage Jack:
22 TON (1)
11 TON (2)*

Benefits & Features:



- ▶ Air hydraulic jack for heavy vehicles, practical and easy to handle.
- ▶ The pistons move back automatically; the two descent valves guarantee perfect holding in all situations and controlled speed under load.
- ▶ Ideal for workshops, mobile workshops, tire repairers and bodywork shops.



Model Style	92000 YAK 214/N
Capacity	22/11 Ton
Net Weight	38.5 lb
Working Air Pressure	116-145 psi
A	38.58"
B	17.32"
C	16.54"
D	5.51"
E	12.05"
F	3.15"
G	3.39"
H	9.06"
K	5.51"

