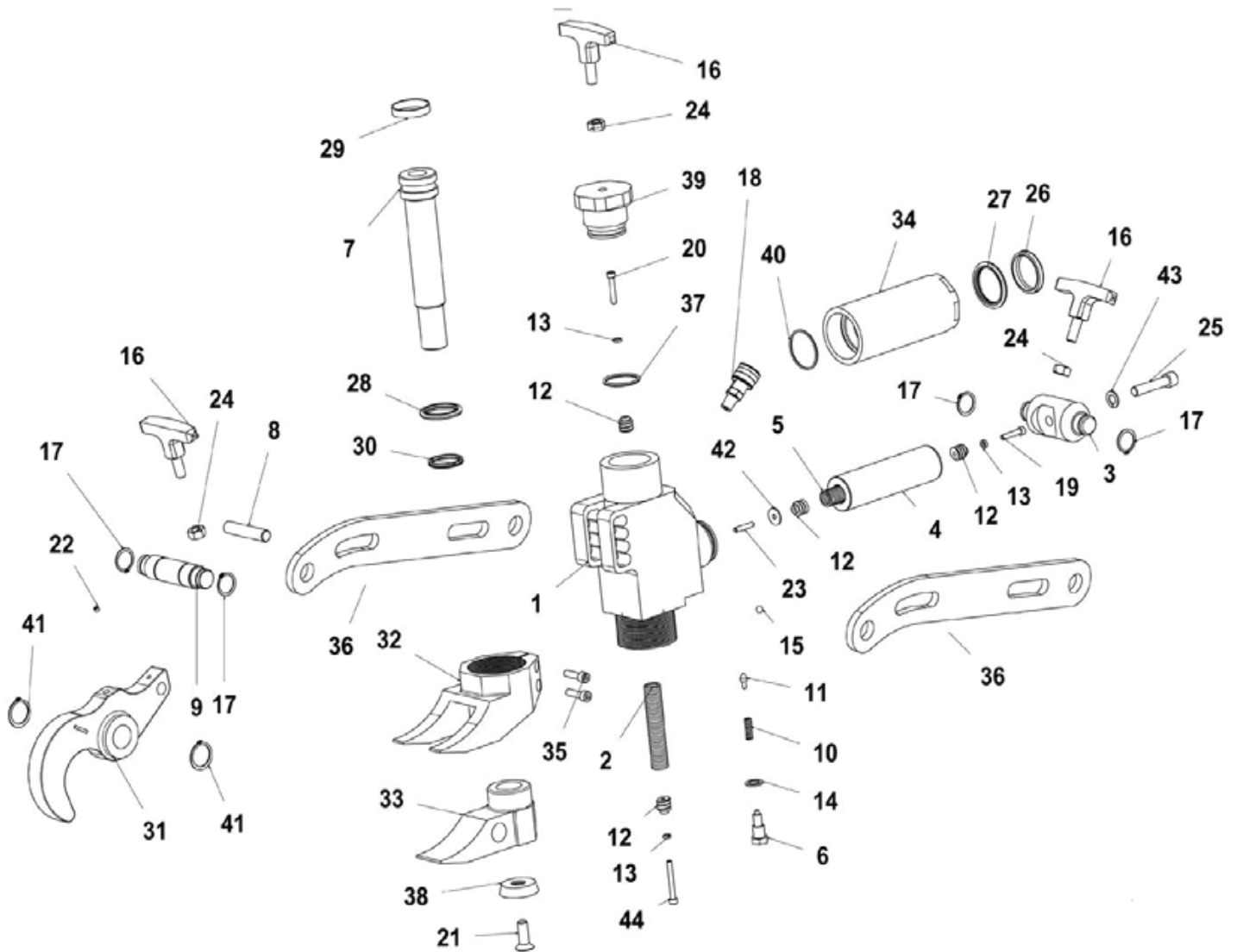




EURO LONG STYLE ALUMINUM BEAD BREAKER

Model #40805





EURO LONG STYLE ALUMINUM BEAD BREAKER

Model #40805

Parts List

Part #	Description	Qty
1	Body	1
2	Traction Spring L=108	1
3	Rear Pin	1
4	Stem	1
5	Traction Spring L=74	1
6	Cap	1
7	Piston	1
8	Adjustable Pin	1
9	Coupling Pin	1
10	Compression Spring	1
11	Cone	1
12	Retaining Pin	1
13	Copper Washer	1
14	Dowty Washer	1
15	Sphere	1
16	Handle	1
17	Elastic Ring	4
18	Quick Coupling	1
19	Cylindrical Screw	1
20	Cylindrical Screw	1
21	Flare Screw	1

Part #	Description	Qty
22	Exagonal Screw	1
23	Exagonal Screw	1
24	Exagonal Bolt	1
25	Cylindrical Screw	1
26	Trelleborg Ring	1
27	Trelleborg O-Ring	1
28	Trelleborg O-Ring	1
29	Guiding Ring	1
30	Trelleborg Ring	1
31	Claw	1
32	External Nail	1
33	Internal Nail	1
34	Cylinder	1
35	Cylinder Screw	2
36	Tie-Rod	2
37	Trelleborg O-Ring	1
38	Belleville Spring	1
39	Screw Cap	1
40	Trelleborg O-Ring	1
41	Elastic Ring	2
42	Flat Washer	1
43	Din-128	1
44	Cylindrical Screw	1
KIT	O-Ring Kit	