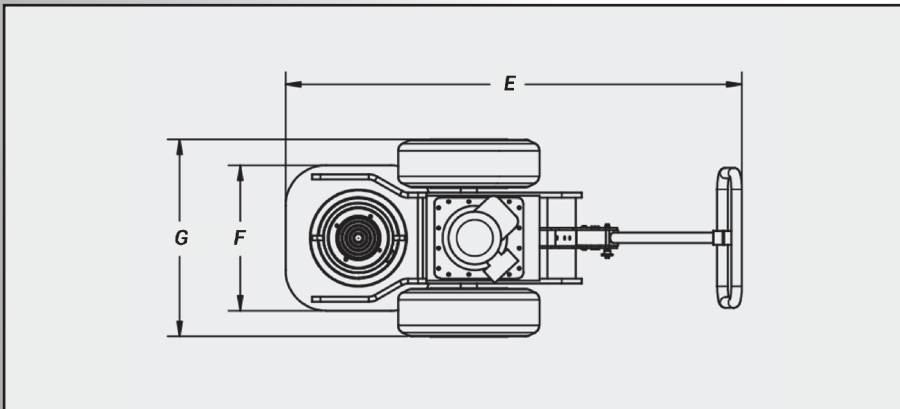
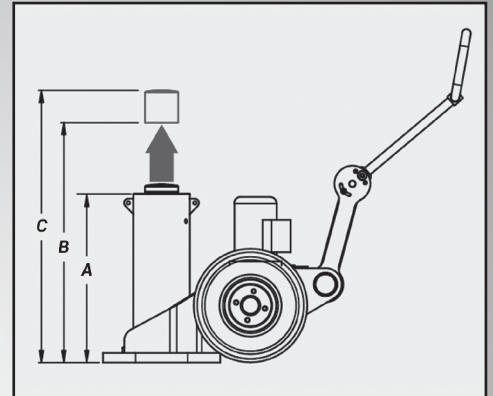


150 Ton Heavyweight Jack

MODEL EJR-150-38



Capacity		150 Ton
Min. Height:	A	38" 97cm
Max. Height:	B	60" 152cm
Cylinder Base:	D	18" 46cm
Frame Length:	E	56.5" 144cm
Handle Height:	F	40" 102cm
Frame Width:	G	29" 74cm

Extension Height (H)	Min. Height with Extension (A+H)	Max. Height with Extension (B + H = C)
6" 15cm	*44" 112cm	*66" 168cm
8" 20cm	*46" 117cm	*68" 173cm
10" 25cm	*48" 122cm	*70" 178cm
12" 30cm	*50" 127cm	*72" 183cm

*Extensions can be custom manufactured to any height

NOTE: ESCO reserves the right to change, alter, or modify product(s) without notice. This includes but is not limited to product: color, design, parts, accessories, etc.

sales@esco.net WWW.ESCO.NET 1.800.352.9852



COPYRIGHT 2017 • 15270 Flight Path Drive • Brooksville, FL 34604

