

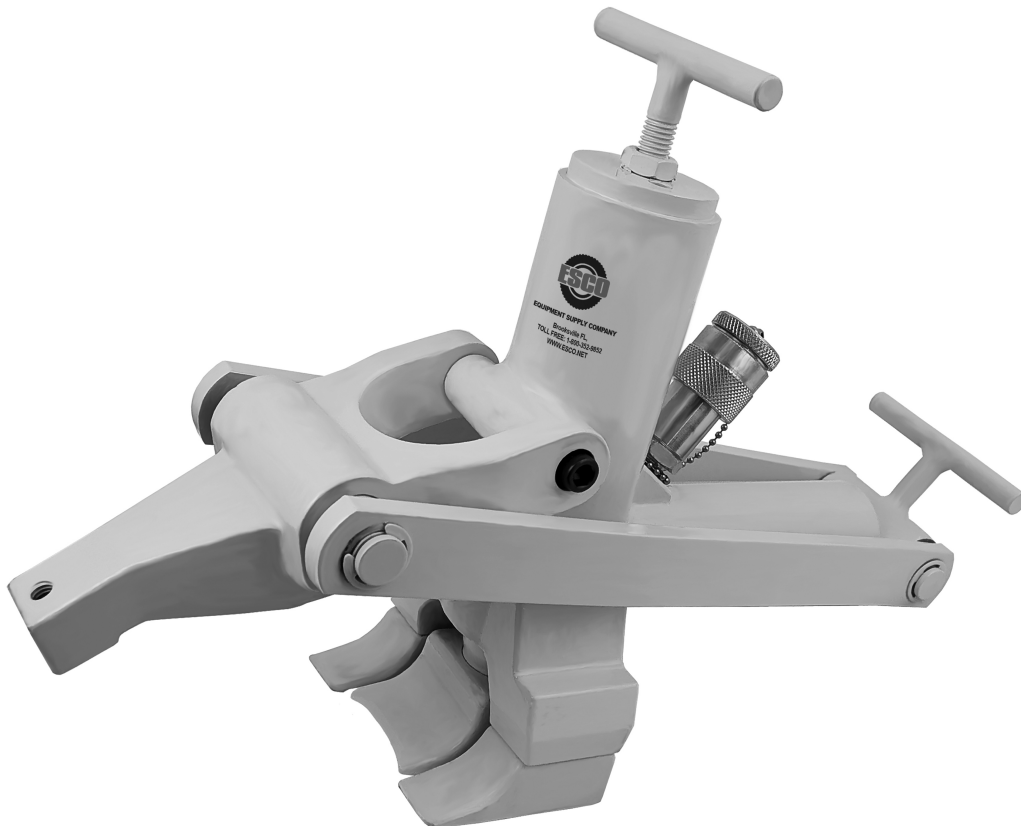


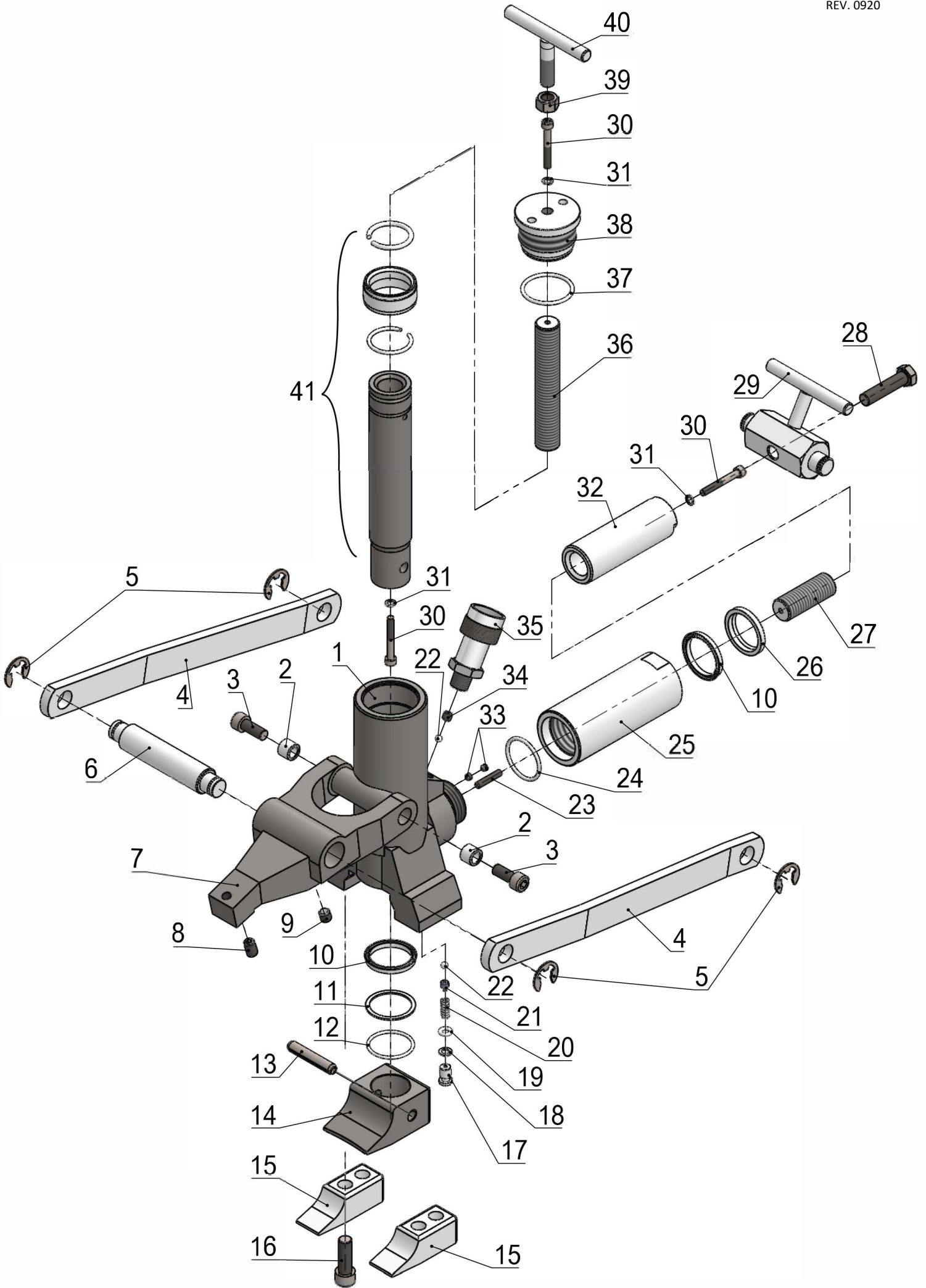
ESCO EQUIPMENT SUPPLY COMPANY

Manual & Parts List

Tire Bead Breaker

Model #10101







ESCO EQUIPMENT SUPPLY COMPANY

10101B Parts List

| Item No. | Part No. | No. Req'd | Description |
|----------|-------------|-----------|---------------------------|
| 1 | 64250B | 1 | Bead Breaker Body |
| 2 | 204238 | 2 | Bushing |
| 3 | B1069028B | 2 | Cap Screw |
| 4 | 350270B | 2 | Side Strap |
| 5 | 119001 | 4 | Retaining Clips |
| 6 | DA10488061L | 1 | Pin |
| 7 | 420438B | 1 | Jaw |
| 8 | BC3806027B | 1 | Jaw Set Screw |
| 9 | 10101B-9 | 1 | Jaw Set Screw |
| 10 | 10101B-10 | 2* | U Cup |
| 11 | 10101B-11 | 1* | Wiper |
| 12 | 10101B-12 | 1* | O Ring |
| 13 | 10101B-13 | 1 | Roll Pin |
| 14 | 36853B | 1 | Foot |
| 15 | 306135B | 2 | Replaceable Teeth |
| 16 | B1139028B | 4 | Cap Screw |
| 17 | 10101B-17 | 1* | Valve Body |
| 18 | 10101B-18 | 1* | O Ring |
| 19 | 10101B-19 | 1* | Backup Ring |
| 20 | 16724B | 1* | Sequence Valve Spring |
| 21 | 10101B-21 | 1* | Retainer |
| 22 | 10375B | 2* | Steel Ball |
| 23 | 10101B-23 | 1 | Screw Set |
| 24 | 10101B-24 | 1* | O Ring |
| 25 | 10101B-25 | 1 | Cylinder |
| 26 | 10101B-26 | 1* | Wiper |
| 27 | 10101B-27 | 1 | Short Spring w/ Retainers |
| 28 | 10101B-28 | 1 | Rear Handle Bolt |
| 29 | 36949B | 1 | Rear Handle |
| 30 | 10101B-30 | 2 | Cap Screw |
| 31 | 10442 | 3* | Copper Washer |
| 32 | 10101B-32 | 1 | Short Piston Rod |
| 33 | 10101B-33 | 2 | Plugs |
| 34 | 10101B-34 | 1 | Ball Seat |
| 35 | 10606 | 1 | Ram Half Coupler |
| 36 | 10101B-36 | 1 | Long Spring w/ Retainers |
| 37 | 10101B-37 | 1* | O Ring |
| 38 | 10101B-38 | 1 | Aluminum Cap |
| 39 | 10391B | 1 | Locking Nut |
| 40 | 202636B | 1 | T Handle |
| 41 | 10101B-41 | 1 | Long Piston Rod Assembly |

*Includes parts found in the 10701A-B repair kit

