

# 5.5 Ton Air Hydraulic Trolley Jack

## MODEL 92016

PROFESSIONAL  
SERIES



# YAK

100%  
MADE IN  
ITALY

3 YEAR WARRANTY  
**3**  
WARRANTY



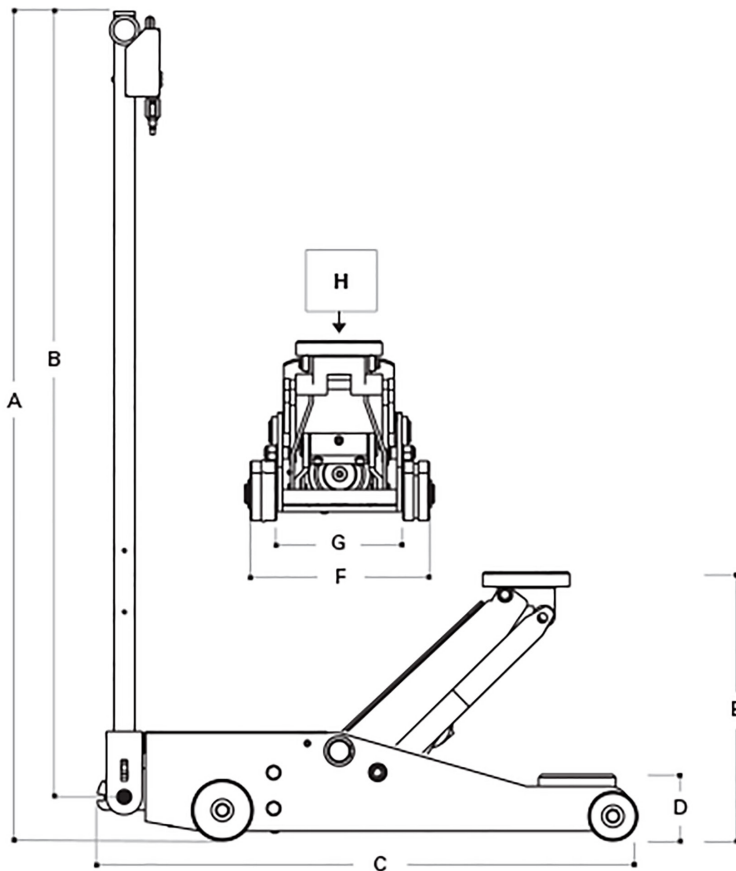
*Easy to Use Up/Down Function Operation. Adjust Handle Position with Simple Motion*

*Lifting Capacity Up To 5.5 Tons*

### Benefits & Features:

- ▶ Air hydraulic jack for heavy vehicles, practical and easy to handle.
- ▶ The pistons move back automatically; the two descent valves guarantee perfect holding in all situations and controlled speed under load.
- ▶ Ideal for workshops, mobile workshops, tire repairers and bodywork shops.





<b>Model Style</b>	92016 YAK 109/C
<b>Capacity</b>	5.5 Ton
<b>Net Weight</b>	165 lb
<b>Working Air Pressure</b>	116-145 psi
<b>A</b>	55.12"
<b>B</b>	51.57"
<b>C</b>	35.04"
<b>D</b>	3.54"
<b>E</b>	16.69"
<b>F</b>	12.6"
<b>G</b>	8.19"
<b>H</b>	5.5 Ton