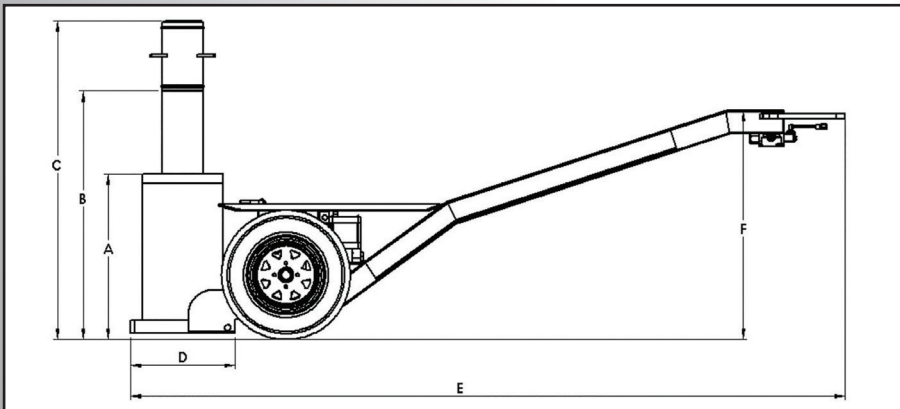
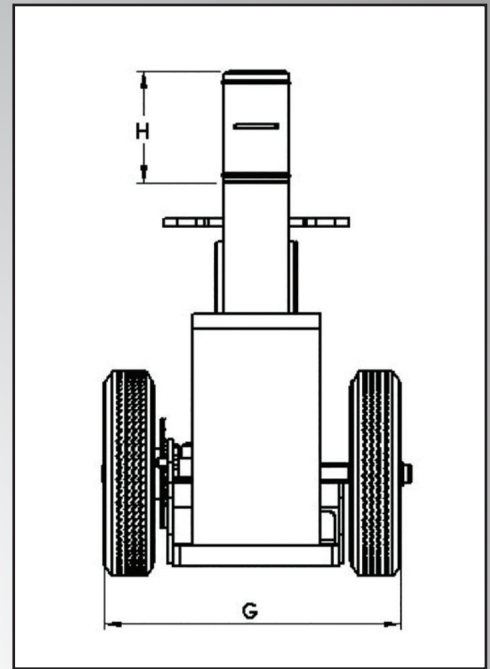


200 Ton Heavyweight Jack

MODEL ESJ-200-38



Capacity		200 Ton
Min. Height:	A	38" 97cm
Max. Height:	B	65" 165cm
Cylinder Base:	D	15" 38cm
Frame Length:	E	120" 305cm
Handle Height:	F	40" 102cm
Frame Width:	G	32" 81cm

Extension Height	Min. Height with Extension	Max. Height with Extension
(H)	(A+H)	(B + H = C)
6" 15cm	*44" 112cm	*71" 180cm
8" 20cm	*46" 117cm	*73" 185cm
10" 25cm	*48" 122cm	*75" 191cm
12" 30cm	*50" 127cm	*77" 196cm

*Extensions can be custom manufactured to any height

NOTE: ESCO reserves the right to change, alter, or modify product(s) without notice. This includes but is not limited to product: color, design, parts, accessories, etc.

sales@esco.net WWW.ESCO.NET 1.800.352.9852



COPYRIGHT 2017 • 15270 Flight Path Drive • Brooksville, FL 34604

