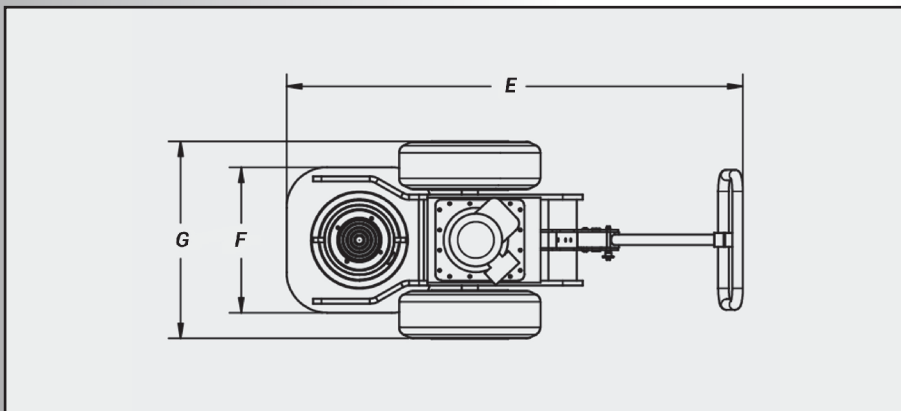
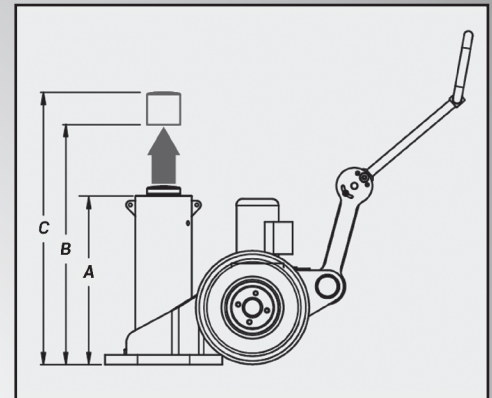


# 100 Ton Heavyweight Jack

## MODEL EJR-100-38



<b>Capacity</b>		100 Ton
<b>Min. Height:</b>	<b>A</b>	38" 97cm
<b>Max. Height:</b>	<b>B</b>	60" 152cm
<b>Cylinder Base:</b>	<b>D</b>	18" 46cm
<b>Frame Length:</b>	<b>E</b>	56.5" 144cm
<b>Handle Height:</b>	<b>F</b>	40" 102cm
<b>Frame Width:</b>	<b>G</b>	29" 74cm

Extension Height <b>(H)</b>	Min. Height with Extension <b>(A+H)</b>	Max. Height with Extension <b>(B + H = C)</b>
6" 15cm	*44" 112cm	*66" 168cm
8" 20cm	*46" 117cm	*68" 173cm
10" 25cm	*48" 122cm	*70" 178cm
12" 30cm	*50" 127cm	*72" 183cm

\*Extensions can be custom manufactured to any height

NOTE: ESCO reserves the right to change, alter, or modify product(s) without notice. This includes but is not limited to product: color, design, parts, accessories, etc.

[sales@esco.net](mailto:sales@esco.net) [WWW.ESCO.NET](http://WWW.ESCO.NET) 1.800.352.9852



COPYRIGHT 2017 • 15270 Flight Path Drive • Brooksville, FL 34604

