

Instruction Manual

Pneu-Tek Impact Driven Tire Demounter

Model #20408



FOR YOUR SAFETY

Please read these instructions carefully and retain them for future use

This product as well as all tire tools, should never be used by persons unless they have been trained properly according to the O.S.H.A. regulation #29CFR 1910.177 entitled "Servicing Single-Piece & Multipiece Rim Wheels". Copies of this regulation can be obtained by contracting this manufacturer. 800-352-9852 or sales.esco.net.

Introduction:

This manual contains information to help you to learn about the safe and proper use of the Pneu-tek Impact Driven Tire Demounter Model #20408. ESCO cannot anticipate all conceivable or unique situations. The instructions and warnings included in this manual are not necessarily all-inclusive. You must make sure all conditions and procedures do not jeopardize your personal safety.

DISCLAIMER: All information, images, and specifications contained in this manual are based on the latest information available at the time of publication. ESCO reserves the right to make changes at any time without notifying any person or organization of such revisions or changes. ESCO is not liable for incidental or consequential damages (including lost profits) in connection with the furnishing, performance, or use of this material.

Safety Precautions:

Before using the Pneu-tek Impact Driven Tire Demounter Model #20408 read, understand, and follow the safety precautions and operating instructions outlined in this manual. This equipment must be operated by qualified personnel.

WARNING!

To avoid personal injury, carefully read and understand all instructions before attempting to operate any equipment or tools. Do not operate or work on a machine unless you read and understand the instructions and warnings in this and all other applicable manuals.

Specifications

Size:

L: 53"

W: 3 1/2"

H: 1 1/2"

Handle: 4 1/2"

Range of Use: The Pneu-tek Impact Driven Tire Demounter works great for agricultural tires, one piece grader, loader, forestry, and back hoe tires.



Instructions

Step 1: Lubricate & Initial Tool Placement



Generously lubricate both sides of the tire before demounting. NOTE: We recommended liquid lubricant to penetrate between rim and tire bead for demounting.



Insert the tool between the rim and tire bead by laying the tool horizontal and using downward pressure with your foot until the heel of the pulling foot is below the plain of the rim.

Step 2: First Bead Demount



Bring tool to an upright position to engage the puller foot between rim and inside tire bead.



Begin tool engagement by turning the impact wrench in a counter clock wise manner. As the pushing foot begins to meet the rim ensure that the plastic protective angle properly engages the rim edge.





Continue to retract the pulling foot with the impact wrench while bringing the tool towards the wheel center in a pivoting motion until the 1st bead is removed. **NOTE:** Do not force or excessively pry with the tool. Allow the natural motion of the pulling foot to remove the tire.



When the first bead is removed turn the impact tool in a clock wise motion too reset the pushing arm.

Step 3: Second Bead Demount



Place tool at an approximately 45 degree angle and insert between 2nd tire bead and rim.



Once inserted between the bead and rim, bring tool to an upright position and ensure that you have a secure hold on the 2nd bead with the pulling foot.



Begin to extend the push foot with an impact wrench in a counter clockwise motion. As the pushing foot begins to meet the rim ensure that the plastic protective angle properly engages the rim edge and allow the natural motion of the tool to rock backwards.



Continue to extend pushing foot with impact until tire is free of rim.



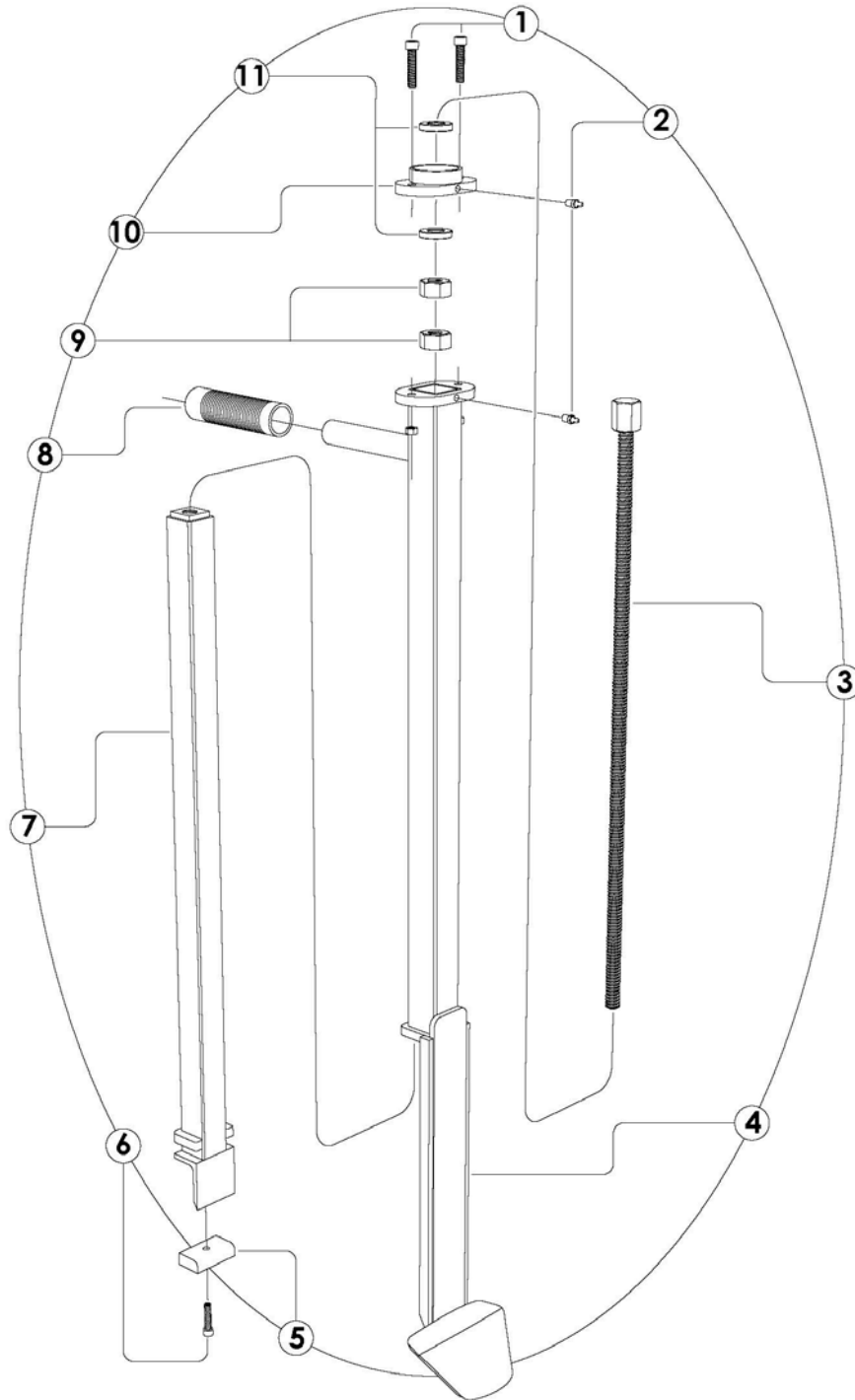
Return tool too original retracted position.

**The Pneu-Tek Impact
Driven Tire Demounter
Model #20408 is also
available in the following
kits:**

**Kit 20414 for Small Tires
Kit 20415 for Large Tires
Kit 20415A for Large Tires**



Parts Breakdown



Parts Breakdown – Replacement Part Numbers

Ref #	Part #	Description
1	20408-8-N	Flange Mounting Bolt Assembly (x2 5/16" bolts; x2 5/16 locking nuts)
2	20408-2 Kit	Strait Grease Fittings
3	20408-2 Kit	Main Drive Bolt
4	20408-1-N	Main Housing Weldment
5	20408-5-N Kit	Plastic Rim Protector
6	20408-5-N Kit	1/4" Bolt For Rim Protector
7	20408-4-N	Push Rod Weldment
8	20408-5-N	Plastic Handle
9	20408-2 Kit	Locking Nuts For Main Drive Bolt (x2)
10	20408-2 Kit	Top Mounting Flange for Drive Assembly
11	20408-2 Kit	Thrust Washers (x2)

