

"Lift & Move" System MODEL 92055

PROFESSIONAL
SERIES

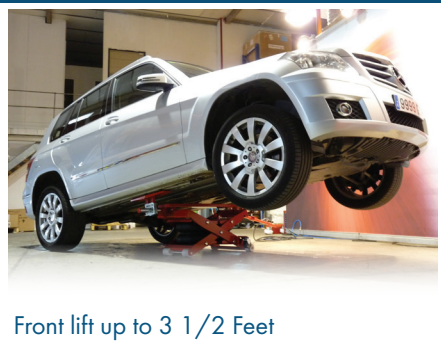


REVOLUTIONARY

"Lift & Move"

System

PATENTED
ALL RIGHTS RESERVED



Front lift up to 3 1/2 Feet



Rear lift up to 5 Feet



The mini**LIFT.low** is a superb fast compac lifting system, which enables you to work on the vehicle at the right height and also, easily move the vehicle to the next required area by quickly attaching trolley wheels to the lift.

KEY BENEFITS:

- ✓ **Fast pneumatic lifting, using 90/120 PSI**
(up to 2.5 tons lift capacity)
- ✓ **Work on the car at the right height**
(Up to 5 ft back & 3 1/2 ft front)
- ✓ **Increase your productivity & space utilization**
- ✓ **Very easy movement of the vehicle around the body shop on trolley wheels**
- ✓ **Easy to use**
- ✓ **3-Year Warranty**
- ✓ **Made 100% in Spain**



Watch the video of the mini**LIFT.low** in action
Scan here to see it in action or visit https://youtu.be/DPg8MiFdX_U

sales@esco.net WWW.ESCO.NET 1.800.352.9852

More than just a lift...

lift & move



"Lift & Move"

The Unique "Lift & Move" system will increase your productivity and space utilization - by being able to move vehicles around easily and quickly on trolley wheels to required area.

Easy installation and removal of trolley wheels.

TECHNICAL SPECIFICATIONS

Lift Capacity	2.5 Tons (5000 lbs.)
Air Pressure	90 - 120 PSI
Weight	340 lbs.
Working Height (Back)	5 feet (60 in.)
Working Height (Front)	3 1/2 feet (42 in.)

INCLUDED ACCESSORIES



(2) Trolley Wheels
Model Number 92058



(2) Axle Stands
Model Number 92053

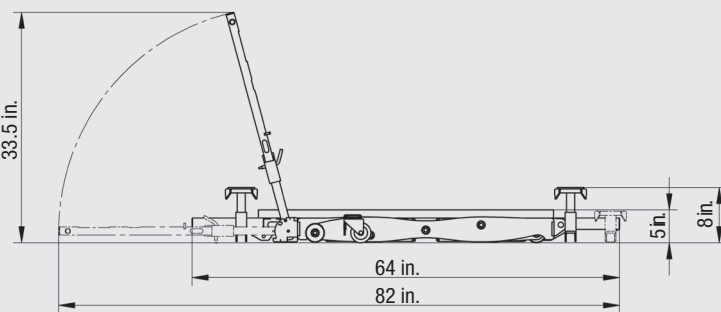
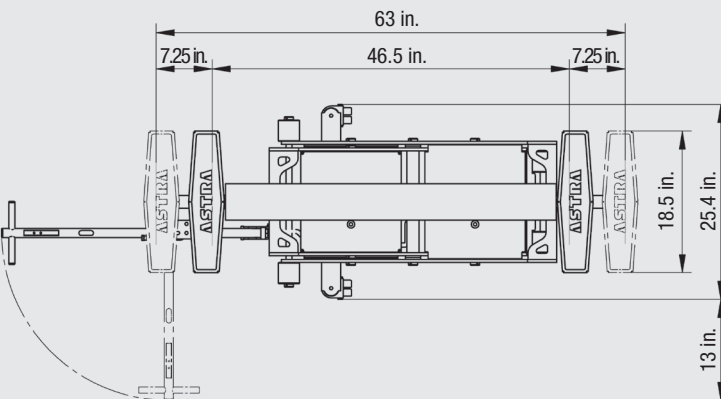
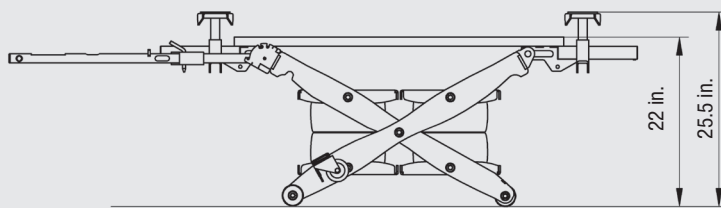
OPTIONAL ACCESSORIES



(2) Round Pads
Model Number 92057



(2) SUV & 4x4 Truck Lifting Adapters
Model Number 92056



sales@esco.net WWW.ESCO.NET 1.800.352.9852



COPYRIGHT 2015 • 15270 Flight Path Drive • Brooksville, FL 34604

